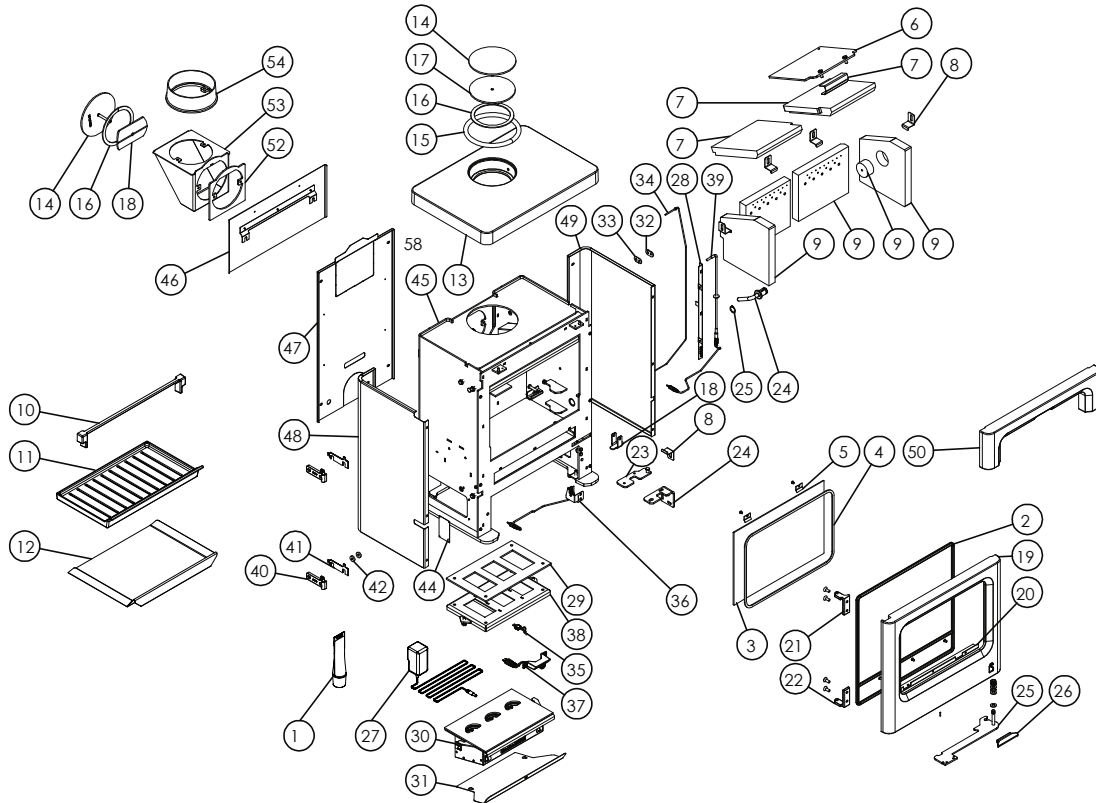


Charnwood Skye E700 D Low Stand Parts List



Issue A



Item	Part No.	Description	Item	Part No.	Description
1	008/FW29	Door Seal Adhesive	29	008/CU109	Air Control Gasket
2	008/AU0355	Rope Door Seal Inc Adhesive	30	010/CU135	Air Control Assembly
3	006/AU018	Glass	31	008/CU043	Cable Tray With Grommet
4	008/EW45	Glass Seal	32	008/NH700	Thermocouple Retainer
5	004/KV23	Glass Retainer	33	008/NH701	Thermocouple Retainer
6	010/DU032	Upper Throat Plate	34	008/CU260	Firebox Thermocouple
7	011/AU031S	Set of Throat Plate Bricks Inc. Bracket	35	008/CU261	Room Thermocouple
8	004/XV30	Brick Bracket	36	008/CU066	Switch and Bracket
9	011/DU029S	Set of Firebricks	37	008/CU250	Manual Control Button
10	003/DU008	Deepening Bar	38	010/CU232	Airbox Upper With
11	003/DU022	Grate	39	008/CU160	Glass Rod Assembly
12	004/DU017	Ashpan	40	002/BU040	Door Hinge Bracket
13#	003/CU006	Cast Top	41	004/BU039	Door Hinge Shim
14	010/KZ132	Blanking Plate	42	010/DY24	Spacer
15	008/KZ136	Flue Fixing Rope Seal	43*	012/CUL012	Compliance Label
16	008/KS134	Blanking Plate Seal	44	012/DUL011	Serial No. Label
17	010/KZ133	Blanking Plate Retainer	45#	001/DUL010	Firebox
18	010/AY51	Clamping Plate	46#	005/AU081	Rear Heatshield
19#	003/CU001A	Door Casting	47#	005/AUL080	Rear Panel
20	004/AU050	Rope Seal Channel	48#	005/AUL093L	Left Side Panel
21	002/BU041	Upper Hinge	49#	005/AUL093R	Right Side Panel
22	002/BU042	Lower Hinge	50#	003/AUL071	Front Casting
23	010/CU063	Door Latch	51*	010/EW51	Ash Carrier (Optional Extra)
24	010/CU064	Door Latch Bracket	52	010/AU021	Vertical Rear Flue Adapter Spacer
25#	010/CU060	Door Catch Arm	53#	010/TW33	Vertical Rear Flue Adapter (Opt'l Extra)
26	008/BU049	Door Handle	54#	002/CH12B	Flue Collar
27	008/EL307	9V Power Supply	55*	010/EL308	DC Power Extension Lead
28	008/CU161	Light Optic Guard			

*These items are not shown on the drawing.
Please specify colour when ordering.

To obtain spare parts please contact your local stockist giving Model, Part No. and Description. In case of difficulty contact the manufacturer at the address shown. This drawing is for identification purposes only.

charnwood BISHOPS WAY, NEWPORT, ISLE OF WIGHT PO30 5WS, UNITED KINGDOM

T: +44 (0) 1983 537799 • F: +44 (0) 1983 537788 • WWW.CHARNWOOD.COM

